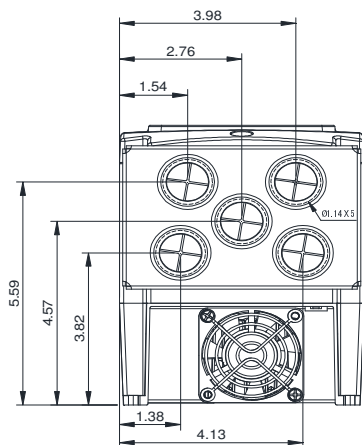
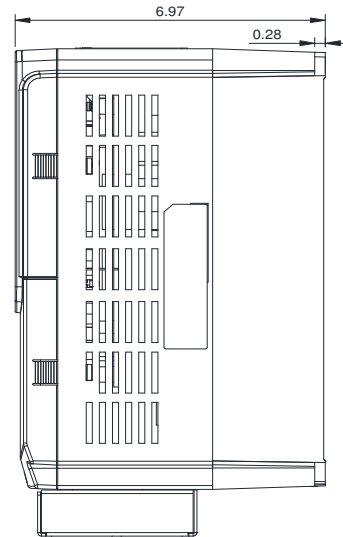
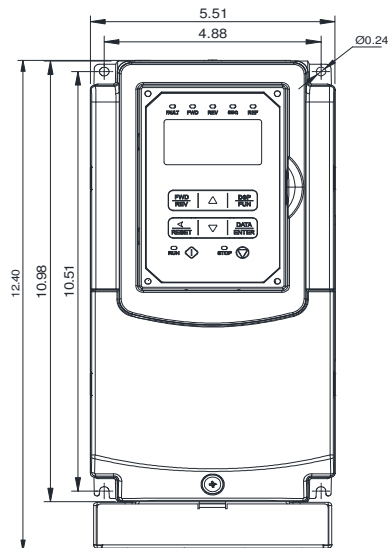


GENERAL DATASHEET VARIABLE SPEED DRIVE

SERIES F510		MODEL# F510-2010-C3-UE		
ISSUED 12/31/2019		ENCLOSURE/ FRAME NEMA 1 (IP20) / F2		
INPUT AMPS ND (VT) 31.6		AC INPUT VOLTAGE 200-240	AC INPUT FREQUENCY 50/60	AC INPUT PHASE 3
OUTPUT HP ND (VT) 10	OUTPUT AMPS ND (VT) 30	AC OUTPUT VOLTAGE 0-240	AC OUTPUT FREQUENCY 0-400	AC OUTPUT PHASE 3



Approved By:	Brian Smith	Drawing No:	F510-230-010-F2	Revision: 1
--------------	-------------	-------------	-----------------	-------------